

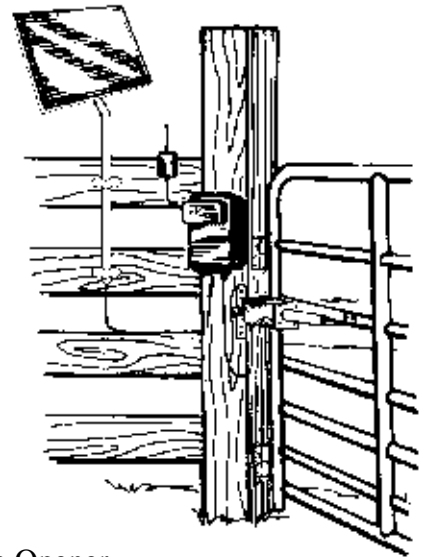


10 Watt (600 ma)

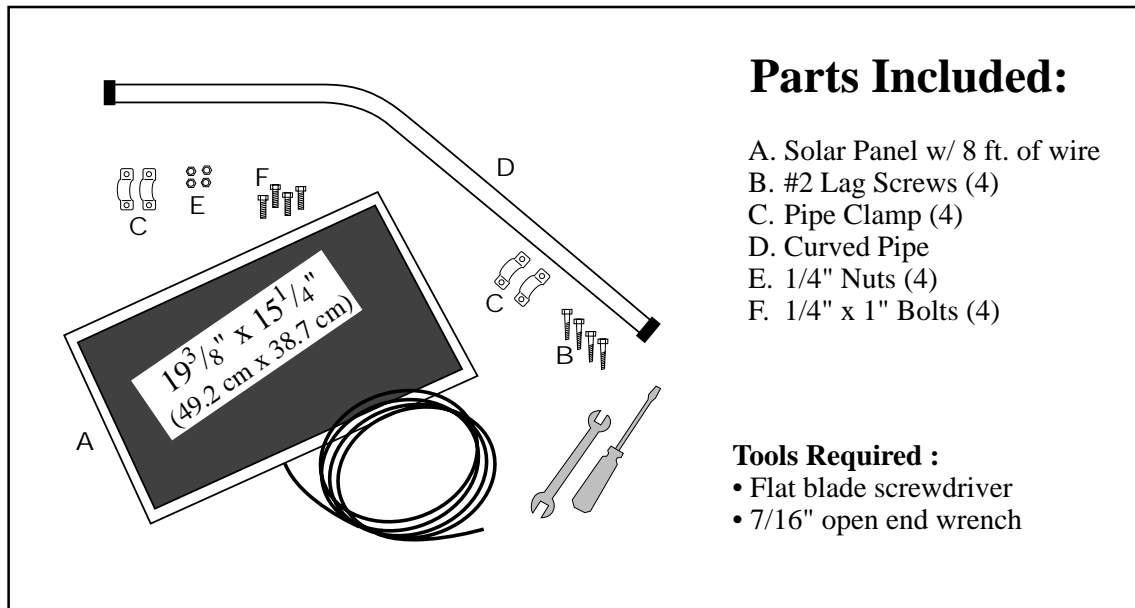
Solar Panel

for GTO Automatic Gate Openers

Installation Manual



NOTE: Maximum of 1 panel w/ PRO1000 and Mighty Mule E-Z Gate Opener
Maximum of 2 panels w/ PRO2000 and PRO SL-1000/SL-2000



Limited Two Year Warranty

GTO, Inc., 10 watt solar panels are warranted by the manufacturer against defects in workmanship for a period of two (2) years from the date of purchase, provided recommended installation procedures have been followed.

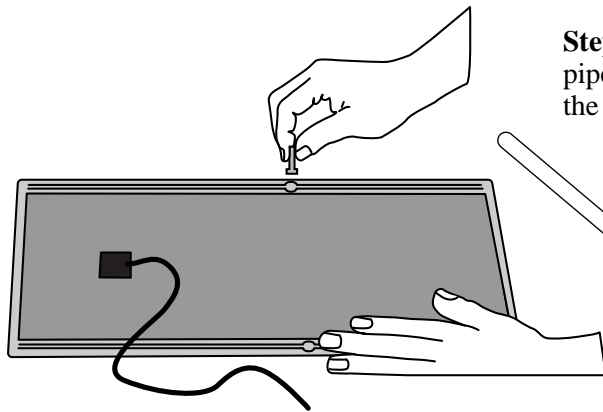
In the case of product failure due to defective material or manufacturer workmanship within the two (2) year warranty period, the solar panel will be repaired or replaced (at the manufacturer's option) at no charge to the customer, if returned freight prepaid to GTO, Inc. 3121 Hartsfield Rd., Tallahassee, FL 32303. **IMPORTANT:** Call (850)575-0176 or fax (850)575-8912 for a Return Goods Authorization (RGA) number before returning accessory to factory. Products received at the factory without an RGA will not be accepted. Replacement or repaired parts are covered by this warranty for the remainder of the two (2) year warranty period. GTO, Inc. will pay the shipping charges for return to the owner of items repaired under warranty.

The manufacturer will not be responsible for any charges or damages incurred in the removal of the defective parts for repair, or for the reinstallation of those parts after repair. This warranty shall be considered void if damage to the product(s) was due to improper installation or use, connection to an improper power source, or if damage was caused by lightning, wind, fire, flood, insects, or other natural agent.

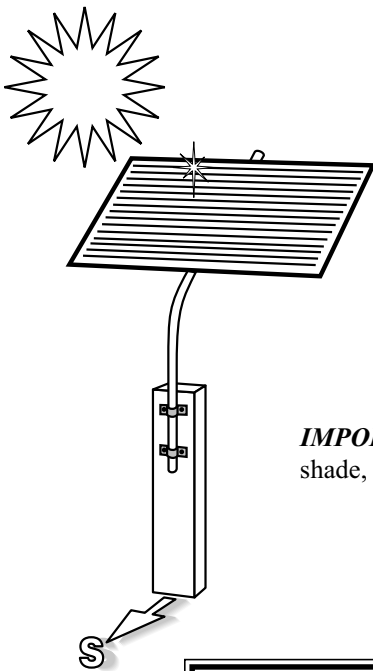
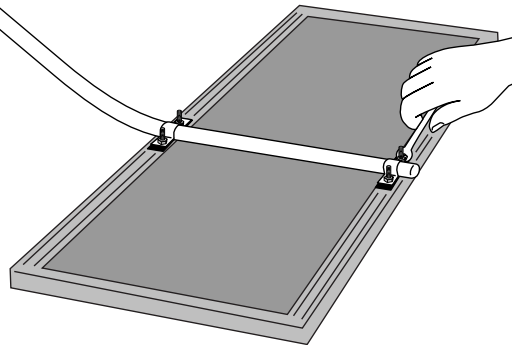
After the two (2) year warranty period, GTO, Inc. or one of its authorized service centers will make any necessary repairs for a nominal fee. Call GTO at (850)575-0176 for more information. This warranty gives you specific legal rights, and you may also have other rights which may vary from state to state. This warranty is in lieu of all other warranties, expressed or implied. **NOTE:** Verification of the warranty period requires copies of receipts or other proof of purchase. Please retain those records.

GTO, Inc. • 3121 Hartsfield Road • Tallahassee, Florida 32303 • (850)575-0176 • Fax (850)575-8912 • www.gtoinc.com

Solar Panel Installation



Step 1: Slide the 1/4" bolts (F) into each channel, position the pipe (D) in the center of the bolts and place two clamps (C) over the curved pipe onto the bolts. Secure with the 1/4" nuts (E).



Step 2: Determine the site for installation of the solar panel. It is important to install the solar panel **facing due south**. The curved pipe maintains the proper angle to the sun. Secure the solar panel assembly to wooden post or fence using two pipe clamps (C) and #2 lag screws (B) as shown in illustration if your fence post is metal, you will need alternative hardware not provided, i.e. u-clamps or metal screws.

IMPORTANT: the solar panel **must be positioned facing south**, in an open area away from shade, and should receive at least 8 hours of direct sunlight for a full charge.

NOTE: If the solar panel must be placed more than 8 ft. from the control box (but less than 250 feet away), use multi-stranded, 16 gauge, direct burial, low-voltage wire (see Accessory Catalog). **Do not use telephone wire or any solid core wire. Do not splice wire without using weatherproof connections.**

HINTS for Obtaining Maximum Output from Your Solar Panel

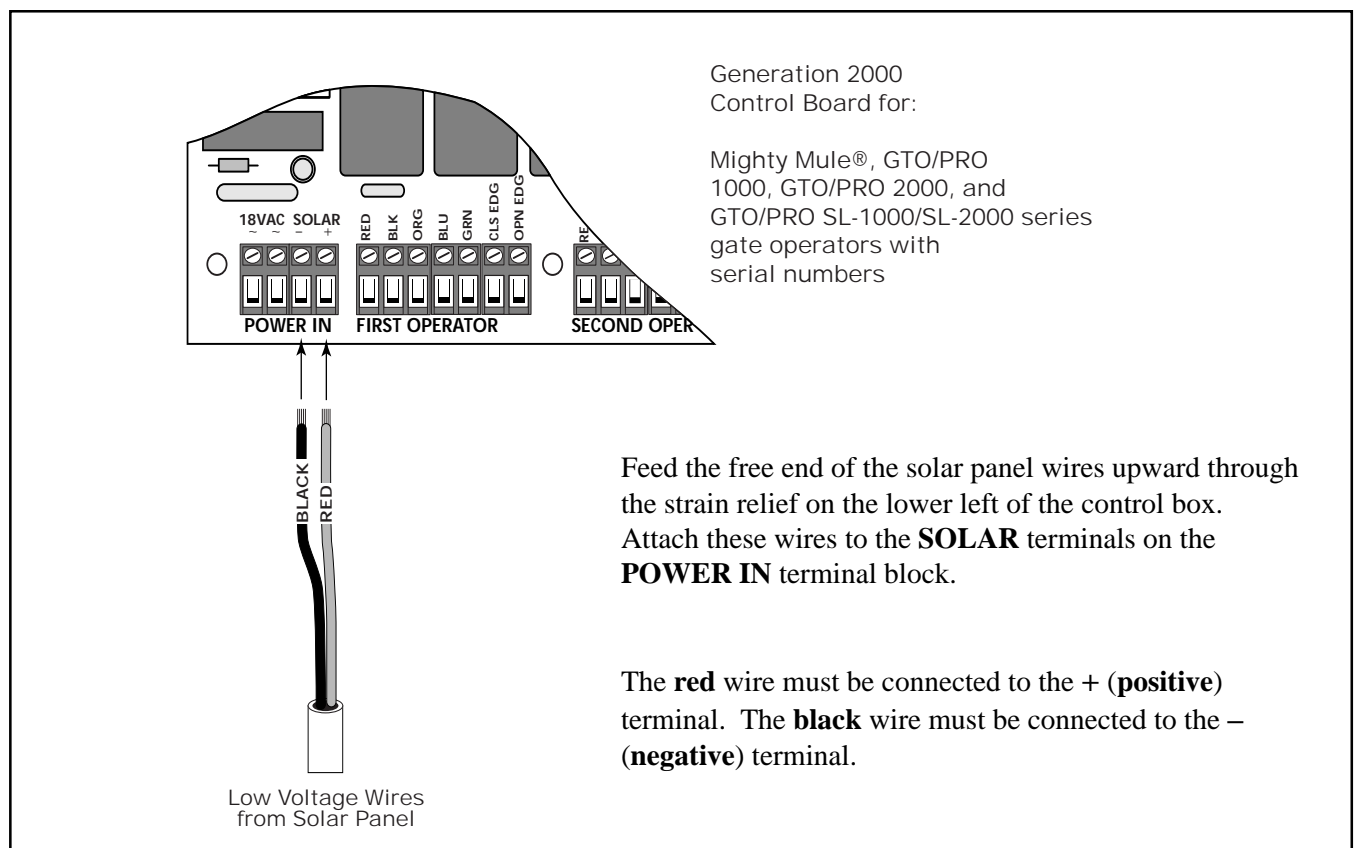
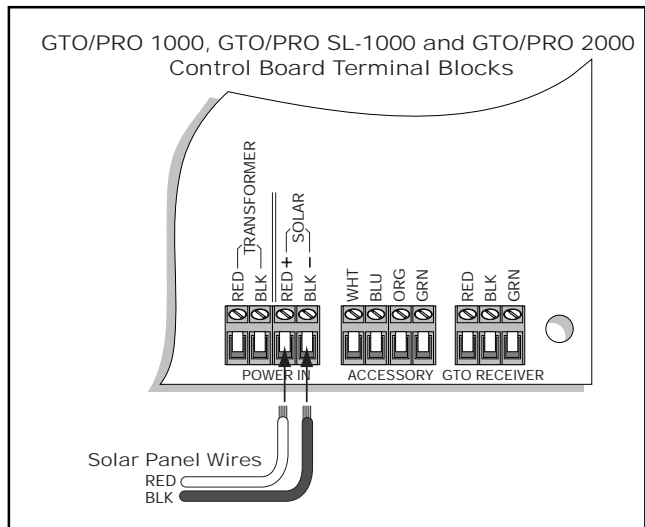
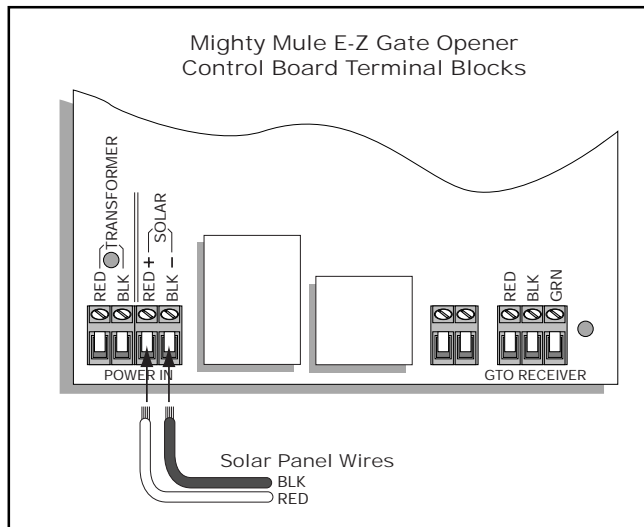
1. Place the panel facing south, where full sun will strike its face throughout the day (minimum 8 hours).
2. Mount the panel using the curved pipe provided to maintain the proper angle to the sun (see illustration above).
3. Wipe the face of the panel periodically with a soft, damp cloth.

The output of the Solar Panel is variable during the day, depending on the intensity of the sun and the angle of the rays striking the panel. The output may vary from a few millivolts to as much as 20 volts. To check the output, simply disconnect the solar panel leads from the control panel and connect directly to a D.C. voltmeter. In bright sunlight the panel output should read at least 18 volts D.C.

Step 3: Determine which operator and control board you have and follow instructions for wiring the solar panel. If you are connecting the Solar Panel to the **GTO/PRO 1000, GTO/PRO SL-1000/SI-2000, GTO/PRO 2000** or the new **Mighty Mule** Control Boards—these control boards have terminal blocks at the bottom of the board for connecting wires. If your control board is not pictured in the illustrations below, please call the GTO Service Department at (800) 543-4283 or (575-0176) for assistance.

Feed the free end of the solar panel wires upward through the strain relief on the lower left of the control box and attach them to the **SOLAR** terminals on the **POWER IN** terminal block.

Attach **RED** solar panel wire to the **SOLAR** terminal marked **RED +**.
 Attach **BLACK** solar panel wire to the **SOLAR** terminal marked **BLK -**.



Solar Zones and Gate Activity

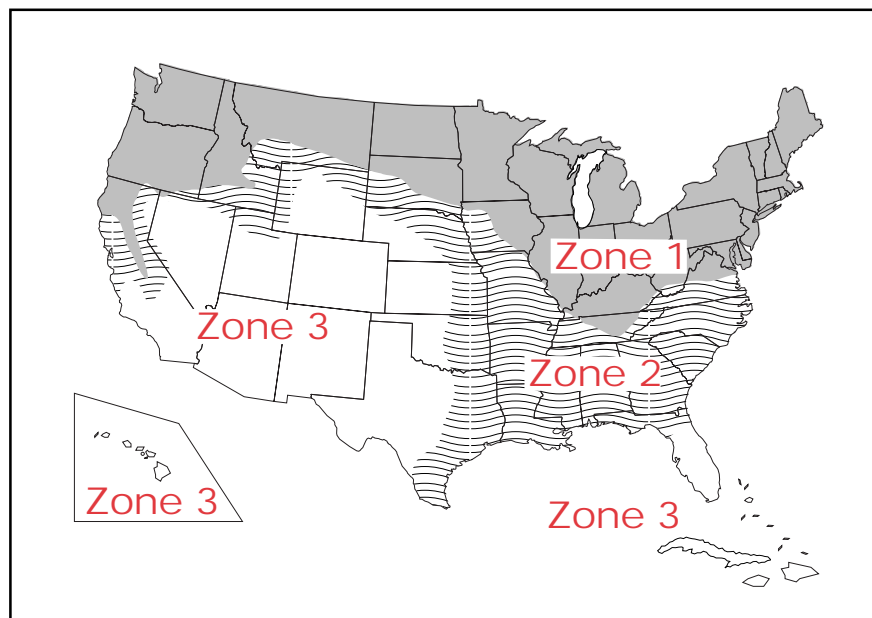
Using the table and map, you can determine the number of gate open/close cycles per day to be expected in your area, using either one, or two panels. Figures are shown for winter (minimum sunlight) and do not account for use of any accessory items.

Accessories will draw additional power from the battery; the more accessories you have, the more power they will require.

These specs are for the PRO SL-1000/SL-2000 with the PRO 2000 board (terminal strips for first and second operator). If you have the original PRO SL-1000/SL-2000 control board (harness plug for the operator) you can use a maximum of **one 10 watt panel (see PRO 1000 specs for gate openings).

Estimated Gate Openings Per Day**

Winter Ratings	Zone 1	Zone 2	Zone 3
PRO 1000; Mighty Mule Single Gate (1 panel)	8	16	26
PRO 1000; Mighty Mule Dual Gate (1 panel)	4	8	13
PRO 2000; PRO SL-1000/SL-2000 Single Gate (1 panel)	4	8	13
PRO 2000; PRO SL-1000/SL-2000 Single Gate(2 panels)	8	16	26
PRO 2000; PRO SL-1000/SL-2000 Dual Gates (2 panels)	4	8	13



Multiple Panel Installations

NOTE: All connections should be weather proofed!

